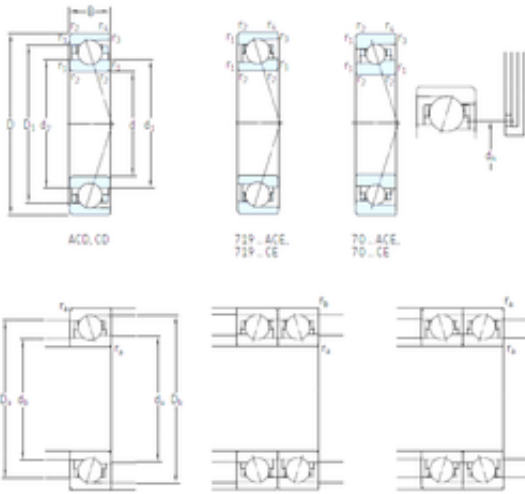




GARLOCK BEARINGS LTD

7007 CE/P4A SKF High Speed Angular Contact Ball Bearings

Bearing No. 7007 CE/P4A



7007 CE/P4A Bearing 2D drawings and 3D CAD models

Size	35x62x14 mm
Bore Diameter	35 mm
Outer Diameter	62 mm
Width	14 mm
d	35 mm
D	62 mm
B	14 mm
C	14 mm
d1	43,7 mm
d2	41,6 mm
r1 min.	1 mm
r2 min.	1 mm
r3 min.	0,6 mm
r4 min.	0,6 mm
D1	54,9 mm
D2	54,9 mm
da min.	39,6 mm
Da max.	57,4 mm
db min	39,6 mm
ra max.	1 mm
rb max.	0,6 mm
dh	45,6 mm
Db max	57,8 mm
Weight	0,15 Kg
Basic dynamic load rating (C)	11,4 kN



GARLOCK BEARINGS LTD

Basic static load rating (C0)	6,55 kN
(Grease) Lubrication Speed	34 000 r/min
(Oil) Lubrication Speed	50 000 r/min
Fatigue load limit (Pu)	0,28
Category	Precision Ball Bearings
Inventory	0.0
Manufacturer Name	SKF
Minimum Buy Quantity	N/A
Weight / Kilogram	0
Product Group	B04270
Enclosure	Open
Precision Class	ABEC 7 ISO P4
Material - Ball	Steel
Number of Bearings	1 (Single)
Contact Angle	15 Degree
Preload	None
Raceway Style	1 Rib Inner Ring and Outer Ring
Cage Material	Phenolic
Rolling Element	Ball Bearing
Flush Ground	No
Inch - Metric	Metric
Other Features	Single Row Angular Contact High Speed E Design
Long Description	35MM Bore; 62MM Outside Diameter; 14MM Width; Open Enclosure; ABEC 7 ISO P4 Precision; Steel Ball Material; 1 (Single) Bearing; 15 Degree Contact Angle; Phenolic Cage Material; 1 Rib Inner Ring and
Category	Precision Ball Bearings
UNSPSC	31171531



GARLOCK BEARINGS LTD

Harmonized Tariff Code	8482.10.50.28
Noun	Bearing
Keyword String	Ball Angular Contact
Manufacturer URL	http://www.skf.com
Outside Diameter	2.441 Inch 62 Millimeter
Width	0.551 Inch 14 Millimeter
Bore	1.378 Inch 35 Millimeter
d_1	43.7 mm
d_2	41.6 mm
D_1	52.25 mm
$r_{1,2}$ min.	1 mm
$r_{3,4}$ min.	0.6 mm
a	13.5 mm
d_a min.	39.6 mm
d_b min.	39.6 mm
D_a max.	57.4 mm
D_b max.	57.8 mm
r_a max.	1 mm
r_b max.	0.6 mm
d_n	45.6 mm
Basic dynamic load rating C	11.4 kN
Basic static load rating C_0	6.55 kN
Fatigue load limit P_u	0.28 kN
Attainable speed for grease lubrication	34000 r/min
Attainable speed for oil-air lubrication	50000 r/min
Ball diameter D_w	7.144 mm
Number of balls z	17
Reference grease quantity G_{ref}	2.4 cm ³
Preload class A G_A	60 N
Static axial stiffness, preload	31 N/ μ m



GARLOCK BEARINGS LTD

class A	
Preload class B G_B	180 N
Static axial stiffness, preload class B	49 N/ μ m
Preload class C G_C	370 N
Static axial stiffness, preload class C	67 N/ μ m
Calculation factor f	1.06
Calculation factor f_1	1
Calculation factor f_{2A}	1
Calculation factor f_{2B}	1.03
Calculation factor f_{2C}	1.05
Calculation factor f_{HC}	1
Calculation factor f_0	7.9
Mass bearing	0.15 kg