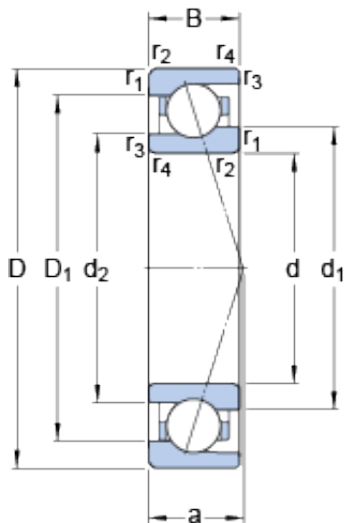




# GARLOCK BEARINGS LTD

## 71907 ACE/P4A SKF High Speed Angular Contact Ball Bearings

Bearing No. 71907 ACE/P4A



71907 ACE/P4A Bearing 2D drawings and 3D CAD models

Size	55x35x10 mm
Bore Diameter	55 mm
Outer Diameter	35 mm
Width	10 mm
d	35 mm
D	55 mm
B	10 mm
d <sub>1</sub>	41.7 mm
d <sub>2</sub>	40.2 mm
D <sub>1</sub>	48.29 mm
r <sub>1,2</sub> - min.	0.6 mm
r <sub>3,4</sub> - min.	0.3 mm
a	16.2 mm
d <sub>a</sub> - min.	38.2 mm
d <sub>b</sub> - min.	37 mm
D <sub>a</sub> - max.	51.8 mm
D <sub>b</sub> - max.	53 mm
r <sub>a</sub> - max.	0.6 mm
r <sub>b</sub> - max.	0.3 mm
d <sub>n</sub>	43 mm
Basic dynamic load rating - C	7.3 kN
Basic static load rating - C <sub>0</sub>	4.5 kN
Fatigue load limit - P <sub>u</sub>	0.19 kN
Limiting speed for grease	32000 r/min



## GARLOCK BEARINGS LTD

Lubrication	
Limiting speed for oil lubrication	50000 mm/min
Ball - $D_w$	5.556 mm
Ball - $z$	19
$G_{ref}$	0.8 cm <sup>3</sup>
Calculation factor - $e$	0.68
Calculation factor - $Y_2$	0.87
Calculation factor - $Y_0$	0.38
Calculation factor - $X_2$	0.41
Calculation factor - $Y_1$	0.92
Calculation factor - $Y_2$	1.41
Calculation factor - $Y_0$	0.76
Calculation factor - $X_2$	0.67
Preload class A - $G_A$	66 N
Preload class B - $G_B$	200 N
Preload class C - $G_C$	400 N
Calculation factor - $f$	1.05
Calculation factor - $f_1$	0.99
Calculation factor - $f_{2A}$	1
Calculation factor - $f_{2B}$	1.04
Calculation factor - $f_{2C}$	1.07
Calculation factor - $f_{HC}$	1
Preload class A	69 N/micron
Preload class B	104 N/micron
Preload class C	136 N/micron
$d_1$	41.7 mm
$d_2$	40.2 mm
$D_1$	48.29 mm
$r_{1,2}$ min.	0.6 mm



## GARLOCK BEARINGS LTD

$r_{3,4}$ min.	0.3 mm
$d_a$ min.	38.2 mm
$d_b$ min.	37 mm
$D_a$ max.	51.8 mm
$D_b$ max.	53 mm
$r_a$ max.	0.6 mm
$r_b$ max.	0.3 mm
$d_n$	43 mm
Basic dynamic load rating C	7.28 kN
Basic static load rating $C_0$	4.5 kN
Fatigue load limit $P_u$	0.19 kN
Attainable speed for grease lubrication	32000 r/min
Attainable speed for oil-air lubrication	50000 r/min
Ball diameter $D_w$	5.556 mm
Number of balls z	19
Reference grease quantity $G_{ref}$	0.8 cm <sup>3</sup>
Preload class A $G_A$	66 N
Static axial stiffness, preload class A	69 N/ $\mu$ m
Preload class B $G_B$	200 N
Static axial stiffness, preload class B	104 N/ $\mu$ m
Preload class C $G_C$	400 N
Static axial stiffness, preload class C	136 N/ $\mu$ m
Calculation factor f	1.05
Calculation factor $f_1$	0.99
Calculation factor $f_{2A}$	1
Calculation factor $f_{2B}$	1.04
Calculation factor $f_{2C}$	1.07
Calculation factor $f_{HC}$	1



## GARLOCK BEARINGS LTD

Calculation factor e	0.68
Calculation factor (single, tandem) $Y_2$	0.87
Calculation factor (single, tandem) $Y_0$	0.38
Calculation factor (single, tandem) $X_2$	0.41
Calculation factor (back-to-back, face-to-face) $Y_1$	0.92
Calculation factor (back-to-back, face-to-face) $Y_2$	1.41
Calculation factor (back-to-back, face-to-face) $Y_0$	0.76
Calculation factor (back-to-back, face-to-face) $X_2$	0.67
Mass bearing	0.075 kg