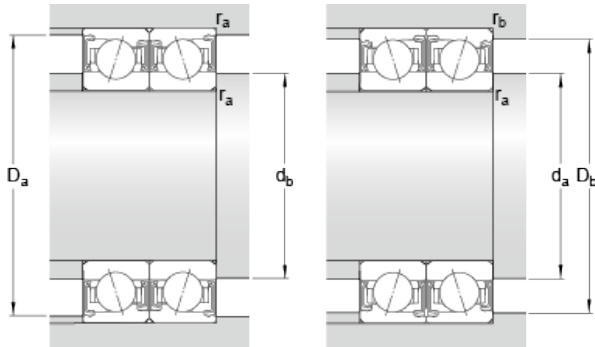




GARLOCK BEARINGS LTD



S71908 CDTP/P4B SKF High Speed Angular Contact Ball Bearings

Bearing No. S71908 CDTP/P4B

S71908 CDTP/P4B Bearing 2D drawings and 3D CAD models

d	40 mm
D	62 mm
B	12 mm
d ₁	47.1 mm
d ₂	47.1 mm
D ₂	57.12 mm
r _{1,2} min.	0.6 mm
r _{3,4} min.	0.3 mm
a	12.9 mm
d _a min.	43.2 mm
d _a max.	46.6 mm
d _b min.	43.2 mm
d _b max.	46.6 mm
D _a max.	58.8 mm
D _b max.	60.6 mm
r _a max.	0.6 mm
r _b max.	0.3 mm
Basic dynamic load rating C	12.4 kN
Basic static load rating C ₀	8.5 kN
Fatigue load limit P _u	0.36 kN
Attainable speed for grease lubrication	20000 r/min
Ball diameter D _w	6.35 mm
Number of balls z	21
Preload class A G _A	45 N
Static axial stiffness, preload	36 N/ μ m



GARLOCK BEARINGS LTD

class A	
Preload class B G_B	90 N
Static axial stiffness, preload class B	48 N/ μ m
Preload class C G_C	180 N
Static axial stiffness, preload class C	66 N/ μ m
Preload class D G_D	360 N
Static axial stiffness, preload class D	93 N/ μ m
Calculation factor f	1.09
Calculation factor f_1	1
Calculation factor f_{2A}	1
Calculation factor f_{2B}	1.04
Calculation factor f_{2C}	1.09
Calculation factor f_{2D}	1.15
Calculation factor f_{HC}	1
Calculation factor f_0	10.4
Mass bearing	0.11 kg